

## ACROBAT 2" LED DOWNLIGHT

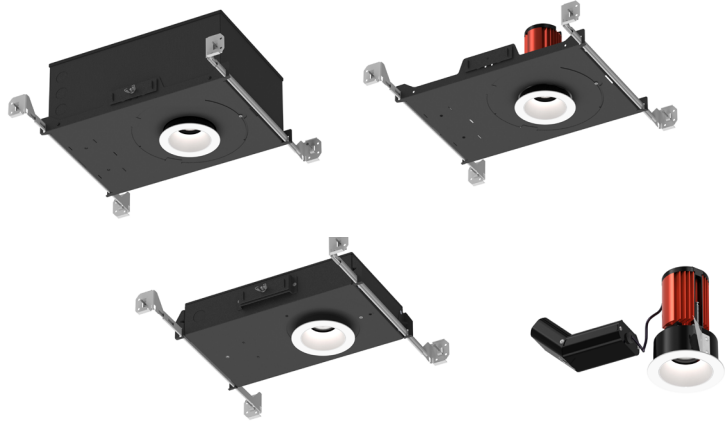
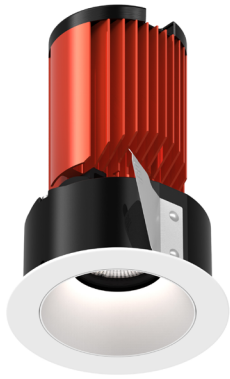
PROJECT: \_\_\_\_\_

TYPE: \_\_\_\_\_

NOTE: \_\_\_\_\_

SPEC-00275 ACROBAT 2.0, 2", V-6.2, UPDATED 01/22/2024

A2-IC, A2-NC, A2-RM  
A2-SIC, A2-SNC



### SILENT VU™ OPTICS TECHNOLOGY

OPTICS	10°, 30°, 50°, 80° Field Changeable
ADJUSTABLE	0° to 40° tilt (Adjustable housings only)
MEDIA	Clear, Solite, Frosted, Linear Spread, Hex Louver

### LED LIGHT ENGINE

RATED WATTAGE	<b>10W, 15W, 20W</b>
DELIVERED LUMENS	Up to 1855 lm @ 4000K-20W-30°Optic
EFFICACY	Up to 96.2 LPW @ 4000K-10W-30°Optic
CCT @ 90CRI	2700K, 3000K, 3500K, 4000K, Warm Dim
COLOR QUALITY	90+ CRI, 2-Step SDCM
LED LIFETIME	55,000 hours @ L90

### DELIVERED LUMENS MATRIX

		10° Optic	30° Optic	50° Optic	80° Optic
10 Watt	2700K (90CRI)	848 lm	912 lm	874 lm	739 lm
	3000K (90CRI)	900 lm	968 lm	927 lm	785 lm
	3500K (90CRI)	943 lm	1014 lm	972 lm	822 lm
	4000K (90CRI)	978 lm	1052 lm	1008 lm	853 lm
	Warm Dim (98CRI)	572 lm	627 lm	587 lm	460 lm
15 Watt	2700K (90CRI)	1235 lm	1329 lm	1273 lm	1078 lm
	3000K (90CRI)	1311 lm	1410 lm	1351 lm	1144 lm
	3500K (90CRI)	1374 lm	1478 lm	1417 lm	1199 lm
	4000K (90CRI)	1425 lm	1533 lm	1469 lm	1243 lm
	Warm Dim (98CRI)	877 lm	961 lm	899 lm	705 lm
20 Watt	2700K (90CRI)	1495 lm	1608 lm	1541 lm	1304 lm
	3000K (90CRI)	1587 lm	1706 lm	1635 lm	1384 lm
	3500K (90CRI)	1663 lm	1789 lm	1714 lm	1451 lm
	4000K (90CRI)	1725 lm	1855 lm	1778 lm	1504 lm
	Warm Dim (98CRI)	1059 lm	1161 lm	1086 lm	852 lm

### POWER SUPPLY

INPUT VOLTAGE	120-277V, 50/60Hz
DIMMING	Multiple dimming drivers available
SERVICEABILITY	Below Ceiling Access (Above ceiling access required when using L3, EL1, EL2, DMX drivers)

### TRIM OPTIONS

- Fixed or Adjustable
- Round or Square
- Standard or Trimless
- Pinhole, Slot Pinhole
- Wall Wash
- Wet Location

### TRIM COLORS

- White
- Black
- Custom Color
- Champagne
- Satin Aluminum

### REFLECTOR COLORS

- White
- Black
- Clear Alzak
- Champagne
- Satin Aluminum
- Custom Color

### HOUSING INSTALLATION

- New Construction includes (2) galvanized steel adjustable hanger bars
- Remodel option available
- 5/8" – 2" ceiling thickness
- Min Plenum Height: 2½" Shallow, 5½" Adjustable
- Ceiling Material: Drywall, T-bar grid, Wood and Millwork
- Steel junction box with up to (6) ½" knockouts
- IC, SIC models are Air Tight
- IC, SIC models are CCEA (Chicago Plenum)  
(Note: polycell spray-in foam insulation must be kept 3" from housing)

### LISTINGS AND WARRANTY

cULus Listed for 40°C Ambient	ASTM E283 Certified Airtight for IC Rated Housings
UL Listed for Damp Location (All Styles)	UL Listed for Wet Location (Wet Location Trim Style)
IC Rated and Non IC Rated Available	CCEA (Chicago Plenum) Approved for IC Rated Housings
Five (5) years limited warranty	CA Title 24-JA8 Compliant



**ORDER MATRIX**

**A2-IC, A2-NC, A2-RM**

**2" NEW CONSTRUCTION / REMODEL HOUSING (EXAMPLE: A2-IC-RST-10S-SHB)**

HOUSING BASE				
FAMILY APERTURE	INSTALLATION TYPE		TRIM SHAPE	TRIM STYLE
<b>A2-</b> Acrobat 2"	<b>IC</b>	(Adjustable New Construction, IC, CCEA)	<b>-R</b> (Round)	<b>ST</b> (Standard)
	<b>NC</b>	(Adjustable New Construction)	<b>-S</b> (Square)	<b>TL</b> (Trimless)
	<b>RM</b>	(Adjustable Remodel)		<b>WC</b> (Wood Ceiling)
DRIVER ASSEMBLY				
WATTAGE	LED DIMMING DRIVER		HANGER BAR	WARM DIM
<b>-10</b> (10 Watt)	<b>S<sup>5</sup></b>	(Universal Dim Driver: 1%-100% 0-10V, TRIAC, ELV, 120V/277V)	<b>-SHB</b> (Standard)	(blank) (Standard)
<b>-15</b> (15 Watt)	<b>L3<sup>2,3,4</sup></b>	(Lutron Hi-Lume® Dim Driver: 1%-100% EcoSystem, 120V/277V)	<b>-C24</b> (24" C-Channel)	<b>-WD<sup>6</sup></b> (Warm Dim)
<b>-20<sup>1</sup></b> (20 Watt)	<b>EL1<sup>2,3</sup></b>	(EldoLED DALI Dim: 1%-100% DALI, 120V/277V)	<b>-C48</b> (48" C-Channel)	
	<b>EL2<sup>2,3</sup></b>	(EldoLED Dim: 1%-100% 0-10V, 120V/277V)		
	<b>DMX<sup>2,3</sup></b>	(DMX Dim: 1%-100% DMX, 120V/277V)		
	REMOTE LED DIMMING DRIVER		Hanger bars not included with RM housings.	
	<b>SR1<sup>5</sup></b>	(Remote Universal Dim: 1%-100% 0-10V, TRIAC, or ELV, 120V/277V)		

- 1. 20 Watt option only available for NC (Adjustable New Construction), RM (Adjustable Remodel), SNC (Shallow New Construction) housings.
- 2. Driver access above ceiling only.
- 3. Driver only available for IC and NC housings.
- 4. Ambient temperature rated for 25 C.
- 5. TRIAC, ELV dimming for 120V only.


- 6. WD CCT must also be selected in Module section.

**2" NEW CONSTRUCTION / REMODEL TRIM (EXAMPLE: A2-2790-RSTWT-STWTNL-30)**

FAMILY APERTURE	LED PERFORMANCE		TRIM		
	CCT	CRI	TRIM SHAPE	TRIM STYLE	TRIM FINISH
<b>A2-</b> Acrobat 2"	<b>27</b> (2700K)	<b>90</b> (90 CRI)	<b>-R</b> (Round)	<b>ST</b> (Standard)	<b>TL<sup>7</sup></b> (Trimless/Wood Ceiling)
	<b>30</b> (3000K)		<b>-S</b> (Square)	<b>TL</b> (Trimless)	<b>WT</b> (White)
	<b>35</b> (3500K)			<b>WC</b> (Wood Ceiling)	<b>BK</b> (Black)
	<b>40</b> (4000K)				<b>CN</b> (Champagne)
	<b>WD<sup>6</sup></b> (1800K~3000K)				<b>SA</b> (Satin Aluminum)
REFLECTOR			OPTIC AND MEDIA		
REFLECTOR STYLE	REFLECTOR FINISH	REFLECTOR LENS	OPTIC	MEDIA 1	MEDIA 2
<b>-ST<sup>2</sup></b> (Standard)	<b>WT</b> (White)	<b>NL</b> (No Lens)	<b>-10</b> (10° Spot)	(blank) (None)	(blank) (None)
<b>-PH<sup>2</sup></b> (Pinhole)	<b>BK</b> (Black)	<b>CL</b> (Clear)	<b>-30</b> (30° Narrow Flood)	<b>CL</b> (Clear Lens)	<b>CL</b> (Clear Lens)
<b>-SP<sup>2</sup></b> (Slot Pinhole)	<b>CA<sup>4</sup></b> (Clear Alzak)	<b>MP</b> (Solite)	<b>-50</b> (50° Flood)	<b>MP</b> (Solite Lens)	<b>MP</b> (Solite Lens)
<b>-SW<sup>6</sup></b> (Wall Wash)	<b>CN</b> (Champagne)	<b>FR</b> (Frosted)	<b>-80</b> (80° Wide Flood)	<b>FR</b> (Frosted Lens)	<b>FR</b> (Frosted Lens)
<b>-AL<sup>2,3</sup></b> (Adjustable Lensed)	<b>SA</b> (Satin Aluminum)			<b>LS</b> (Linear Spread Lens)	<b>LS</b> (Linear Spread Lens)
	<b>CC<sup>1</sup></b> (Custom Color)			<b>HX<sup>5</sup></b> (Hex Louver)	

- 1. Custom color only available for ST (Standard) Trim and ST (Standard), AL (Adjustable Lens) Reflectors only, contact CSL for details.
- 2. Wet Location rated when used with Reflector Lens.
- 3. Must be ordered with corresponding Reflector Lens.
- 4. CA (Clear Alzak) Finish only available for Round reflectors as ST (Standard) or AL (Adjustable Lens) styles.

- 5. Cannot be used with a second Media.
- 6. Media 1 lens required. For WD with 10°, 30°, 50° Optic use MP (Solite Lens). For WD with 80° Optic use FR (Frosted Lens).
- 7. Must be used with TL or WC trim style.
- 8. A Reflector Lens cannot be added with Wall Wash selection

 <b>ACROBAT DOWNLIGHTS</b>	<b>ACROBAT 2" LED DOWNLIGHT</b>	PROJECT: _____
	<b>A2-IC, A2-NC, A2-RM A2-SIC, A2-SNC</b>	TYPE: _____
SPEC-00275 ACROBAT 2.0, 2", V-6.2, UPDATED 01/22/2024		NOTE: _____

## ORDER MATRIX

### A2-SIC, A2-SNC

2" SHALLOW PLENUM NEW CONSTRUCTION HOUSING (EXAMPLE: A2-SIC-RST-02790-30-10S-SHB)

HOUSING BASE					
FAMILY APERTURE	INSTALLATION TYPE		TRIM SHAPE	TRIM STYLE	
<b>A2-</b> Acrobat 2"	<b>SIC</b> (Shallow Plenum New Construction, IC, CCEA)		<b>-R</b> (Round)	<b>ST</b> (Standard)	
	<b>SNC</b> (Shallow Plenum New Construction)		<b>-S</b> (Square)	<b>TL</b> (Trimless) <b>WC</b> (Wood Ceiling)	
CEILING	LED PERFORMANCE		OPTIC AND MEDIA		
CEILING THICKNESS	CCT	CRI	OPTIC	MEDIA 1	MEDIA 2
<b>-0</b> (5/8" Ceiling Thickness)	<b>27</b> (2700K)	<b>90</b> (90 CRI)	<b>-10</b> (10° Spot)	(blank) (None)	(blank) (None)
<b>-1</b> (1 1/4" Ceiling Thickness)	<b>30</b> (3000K)		<b>-30</b> (30° Narrow Flood)	<b>CL</b> (Clear Lens)	<b>CL</b> (Clear Lens)
<b>-2</b> (2" Ceiling Thickness)	<b>35</b> (3500K)		<b>-50</b> (50° Flood)	<b>MP</b> (Solite Lens)	<b>MP</b> (Solite Lens)
	<b>40</b> (4000K)		<b>-80</b> (80° Wide Flood)	<b>FR</b> (Frosted Lens)	<b>FR</b> (Frosted Lens)
	<b>WD<sup>3</sup></b> (1800K~3000K)			<b>LS</b> (Linear Spread Lens)	<b>LS</b> (Linear Spread Lens)
			<b>HX<sup>1</sup></b> (Hex Louver)		
DRIVER ASSEMBLY					
WATTAGE	LED DIMMING DRIVER		HANGER BAR		
<b>-10</b> (10 Watt)	<b>S<sup>4</sup></b> (Universal Dim Driver: 1%-100% 0-10V, TRIAC, ELV, 120V/277V)		<b>-SHB</b> (Standard)		
<b>-15</b> (15 Watt)	<b>REMOTE LED DIMMING DRIVER</b>		<b>-C24</b> (24" C-Channel)		
<b>-20<sup>2</sup></b> (20 Watt)			<b>-C48</b> (48" C-Channel)		
	<b>SR1<sup>4</sup></b> (Remote Universal Dim: 1%-100% 0-10V, TRIAC, or ELV, 120V/277V)				

1. Cannot be used with a second media.

2. 20 Watt option only available for SNC (Shallow Plenum New Construction) only.

3. Media 1 lens required. For WD with 10°, 30°, 50° Optic use MP (Solite Lens). For WD with 80° Optic use FR (Frosted Lens).

4. TRIAC, ELV dimming for 120V only.

2" SHALLOW PLENUM NEW CONSTRUCTION TRIM (EXAMPLE: A2-RSTWT-STWT-NL)

TRIM				REFLECTOR		
FAMILY APERTURE	TRIM SHAPE	TRIM STYLE	TRIM FINISH	REFLECTOR STYLE	REFLECTOR FINISH	REFLECTOR LENS
<b>A2-</b> Acrobat 2"	<b>R</b> (Round)	<b>ST</b> (Standard)	<b>TL<sup>4</sup></b> (Trimless/Wood Ceiling)	<b>-ST<sup>2</sup></b> (Standard)	<b>WT</b> (White)	<b>-NL</b> (No Lens)
		<b>TL</b> (Trimless)	<b>WT</b> (White/)	<b>-PH<sup>2</sup></b> (Pinhole)	<b>BK</b> (Black)	<b>-CL</b> (Clear)
	<b>S</b> (Square)	<b>WC</b> (Wood Ceiling)	<b>BK</b> (Black)	<b>-SP<sup>2</sup></b> (Slot Pinhole)	<b>CA<sup>3</sup></b> (Clear Alzak)	<b>-MP</b> (Solite)
			<b>CN</b> (Champagne)	<b>-SW<sup>5</sup></b> (Wall Wash)	<b>CN</b> (Champagne)	<b>-FR</b> (Frosted)
			<b>SA</b> (Satin Aluminum)		<b>SA</b> (Satin Aluminum)	
		<b>CC<sup>1</sup></b> (Custom Color)		<b>CC<sup>1</sup></b> (Custom Color)		

1. Custom color only available for ST (Standard) Trim and ST (Standard), AL (Adjustable Lens) Reflectors only, contact CSL for details.

2. Wet Location rated when used with Reflector Lens.

3. CA (Clear Alzak) Finish only available for Round reflectors as ST (Standard) or AL (Adjustable Lens) styles

4. Must be used with TL or WC trim style

5. A Reflector Lens cannot be added with Wall Wash selection.

## EMERGENCY OPTIONS

<b>EM-1000</b> (25W Remote Inverter)	<b>EM-1003-CA</b> (35W Remote Inverter) Title 20	<b>EM-1006</b> (25W Remote Inverter) Title 20
<b>EM-1002</b> (10W Remote EM Driver)	<b>EM-1004</b> (50W Remote Inverter)	



ACROBAT  
DOWNLIGHTS

**ACROBAT  
2" LED DOWNLIGHT**

A2-IC, A2-NC, A2-RM  
A2-SIC, A2-SNC

PROJECT: \_\_\_\_\_

TYPE: \_\_\_\_\_

NOTE: \_\_\_\_\_

SPEC-00275 ACROBAT 2.0, 2", V-6.2, UPDATED 01/22/2024

**HOUSING AND LIGHT ENGINE LINE DRAWINGS**

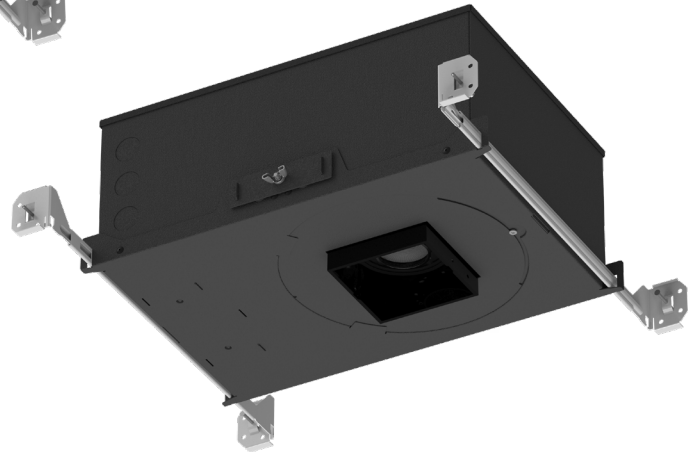
A2-IC

New Construction IC Housing



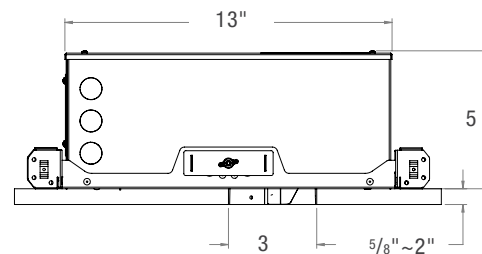
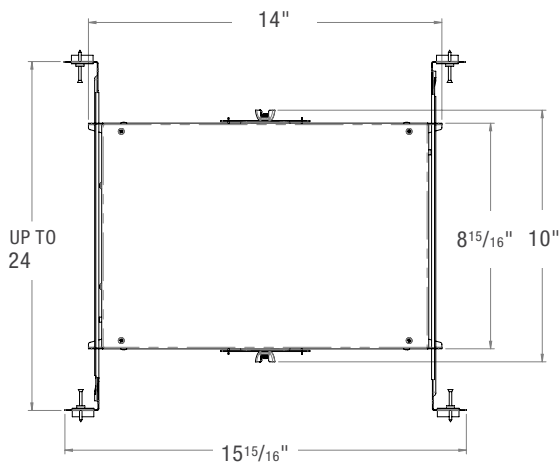
**A2-IC-R**

Acrobat 2" - Adjustable New Construction IC Housing - Round



**A2-IC-S**

Acrobat 2" - Adjustable New Construction IC Housing - Square





ACROBAT  
DOWNLIGHTS

**ACROBAT  
2" LED DOWNLIGHT**

A2-IC, A2-NC, A2-RM  
A2-SIC, A2-SNC

PROJECT: \_\_\_\_\_

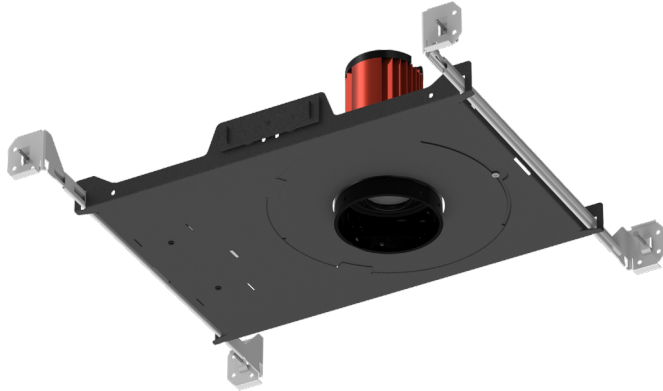
TYPE: \_\_\_\_\_

NOTE: \_\_\_\_\_

SPEC-00275 ACROBAT 2.0, 2", V-6.2, UPDATED 01/22/2024

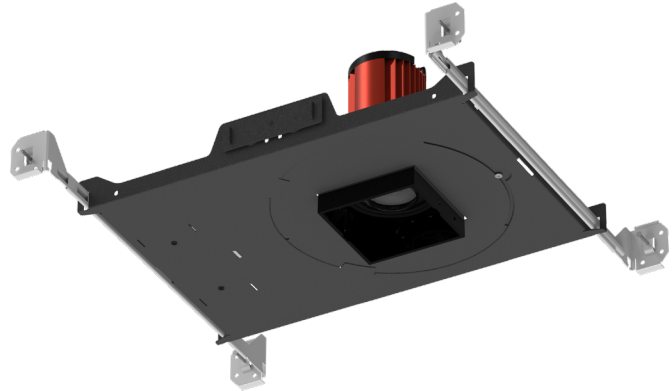
**HOUSING AND LIGHT ENGINE LINE DRAWINGS**

A2-NC  
New Construction Housing



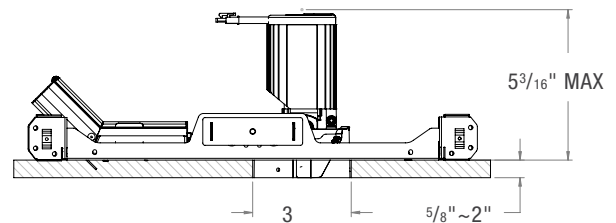
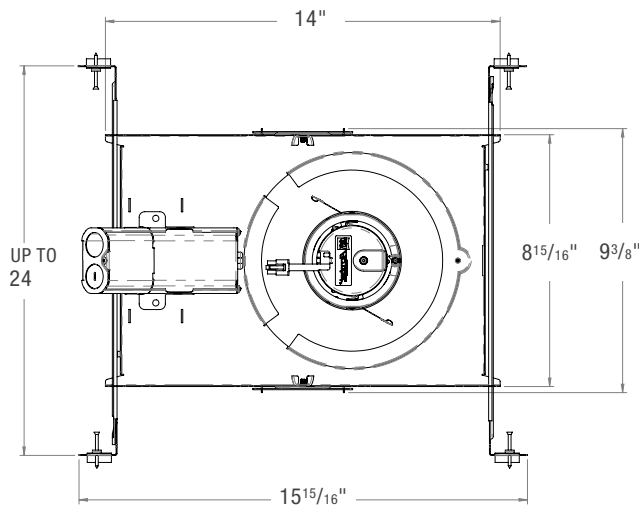
**A2-NC-R**

Acrobat 2" - Adjustable New Construction Housing - Round



**A2-NC-S**

Acrobat 2" - Adjustable New Construction Housing - Square



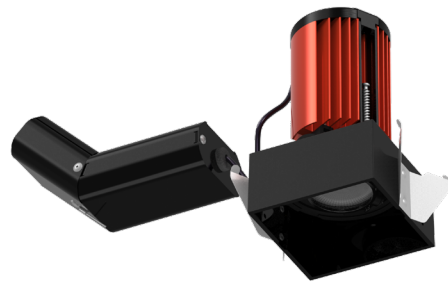
**HOUSING AND LIGHT ENGINE LINE DRAWINGS**

A2-RM  
Remodel Housing



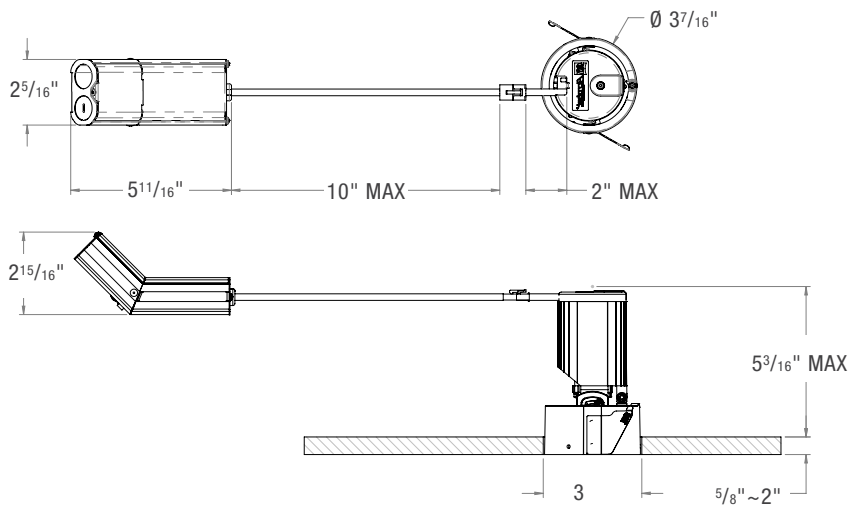
**A2-RM-R**

Acrobat 2" - Adjustable Remodel Housing - Round



**A2-RM-S**

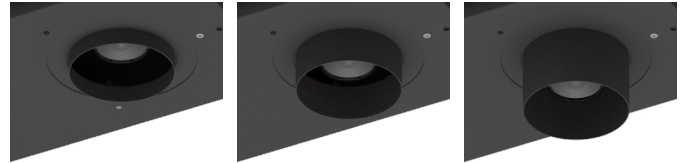
Acrobat 2" - Adjustable Remodel Housing - Square



**HOUSING AND LIGHT ENGINE LINE DRAWINGS**

A2-SIC, A2-SNC  
Shallow Plenum Housing

CEILING THICKNESS



-0

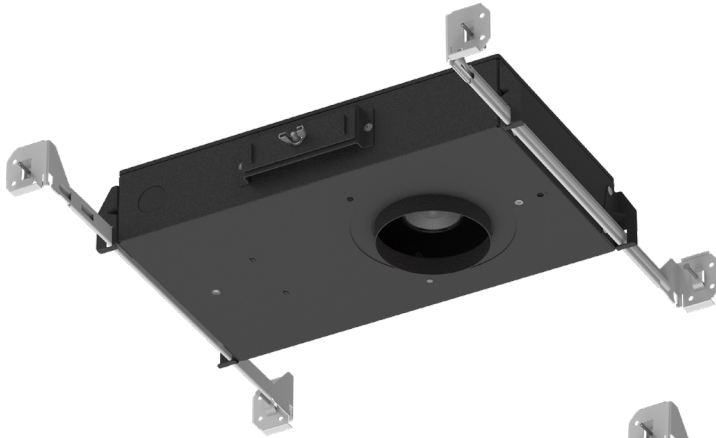
-1

-2

5/8" Ceiling Thickness

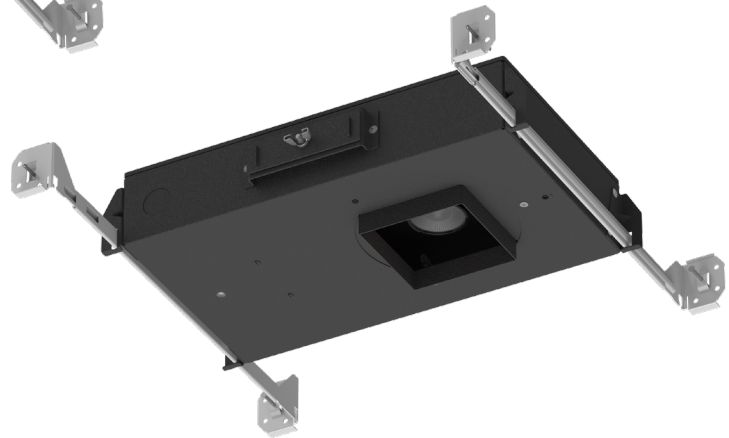
1 1/4" Ceiling Thickness

2" Ceiling Thickness



**A2-SIC-R**

Acrobat 2" - Shallow Plenum New Construction IC Housing - Round



**A2-SNC-R**

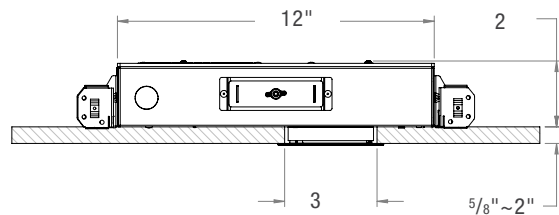
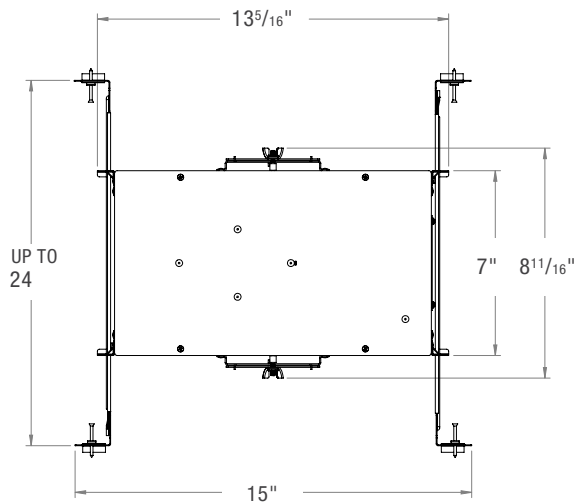
Acrobat 2" - Shallow Plenum New Construction Housing - Round

**A2-SIC-S**

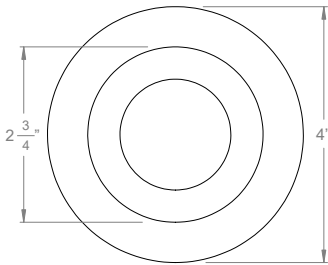
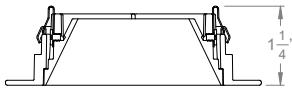
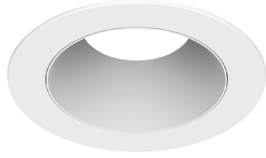
Acrobat 2" - Shallow Plenum New Construction IC Housing - Square

**A2-SNC-S**

Acrobat 2" - Shallow Plenum New Construction Housing - Square

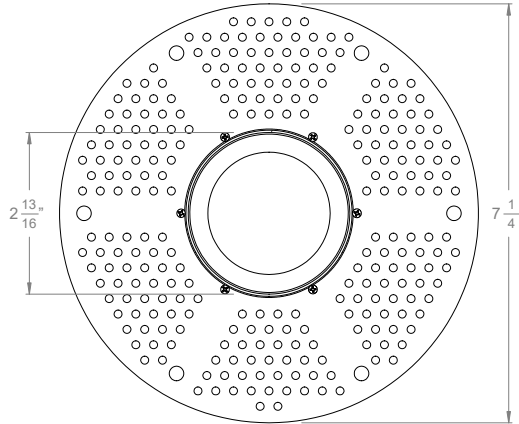
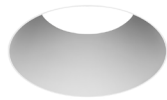


### TRIM STYLES



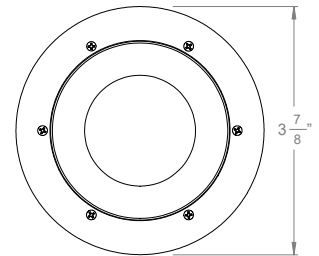
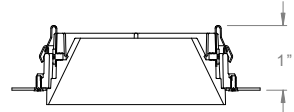
#### RST

2" Acrobat Round Standard Trim  
(with Standard Reflector)



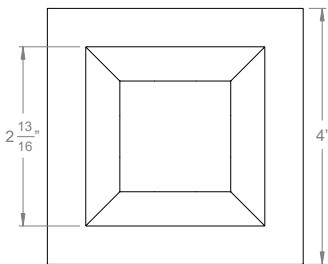
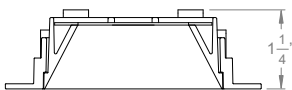
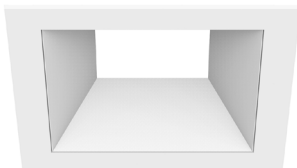
#### RTL

2" Acrobat Round Trimless Mud Plate  
(with Standard Reflector)



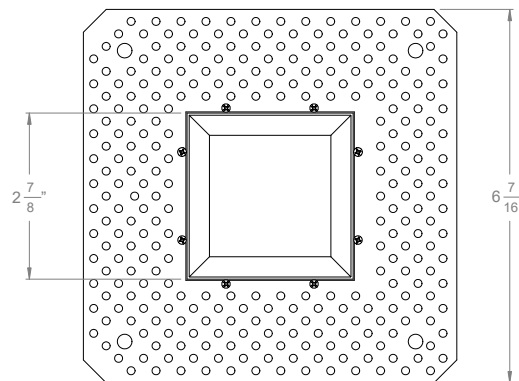
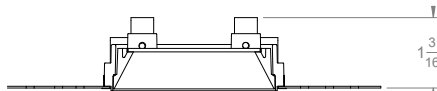
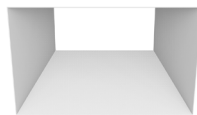
#### RWC

2" Acrobat Round Wood Ceiling Trim  
(with Standard Reflector)



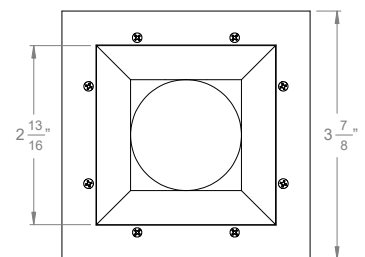
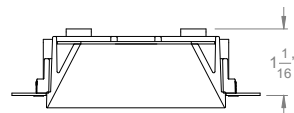
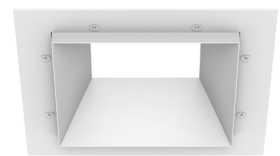
#### SST

2" Acrobat Square Standard Trim  
(with Standard Reflector)



#### STL

2" Acrobat Square Trimless Mud Plate  
(with Standard Reflector)

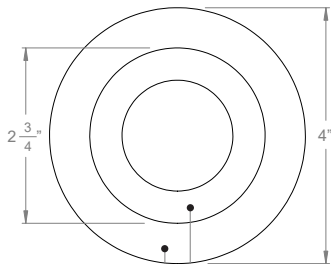
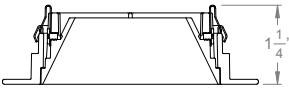
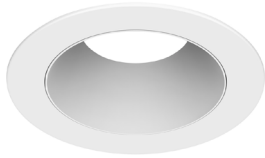


#### SWC

2" Acrobat Square Wood Ceiling Trim  
(with Standard Reflector)

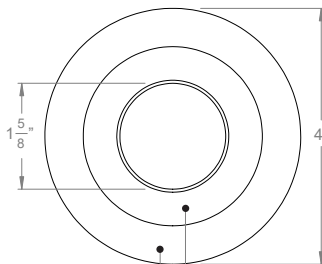
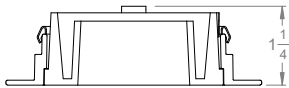
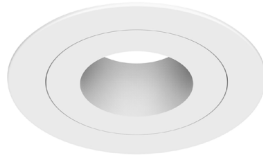


**REFLECTOR STYLE (ROUND)**



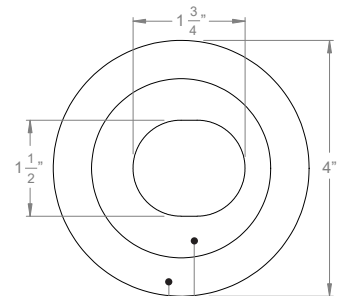
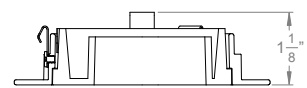
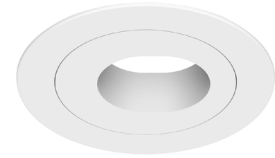
Trim Reflector  
RST -ST

2" Acrobat Round Standard Trim  
with Standard Reflector



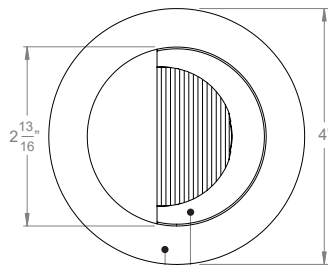
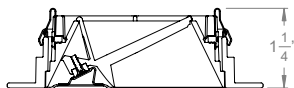
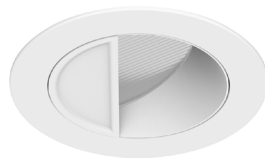
Trim Reflector  
RST -PH

2" Acrobat Round Standard Trim  
with Pinhole Reflector



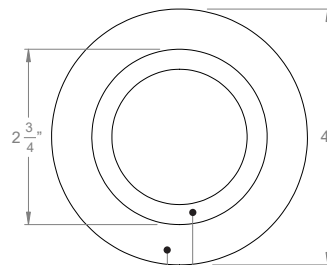
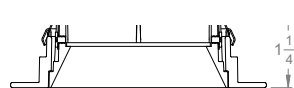
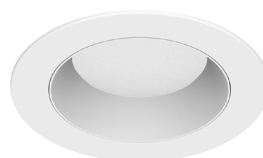
Trim Reflector  
RST -SP

2" Acrobat Round Standard Trim  
with Slot Pinhole Reflector



Trim Reflector  
RST -SW

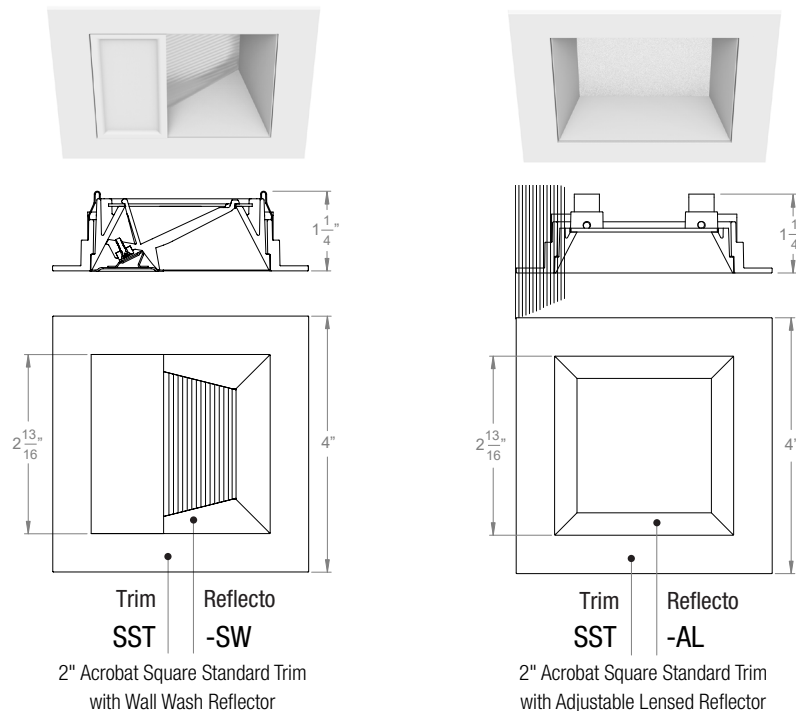
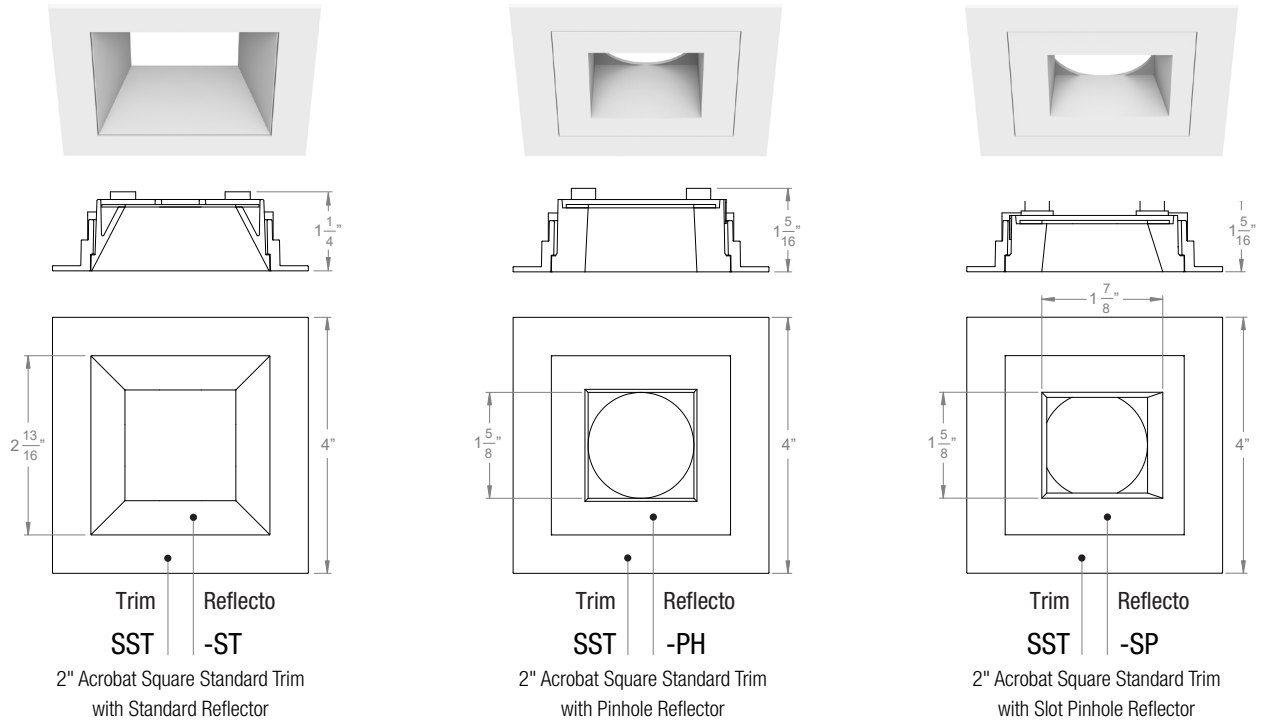
2" Acrobat Round Standard Trim  
with Wall Wash Reflector



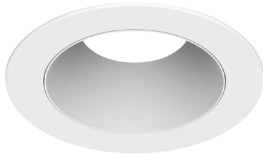
Trim Reflector  
RST -AL

2" Acrobat Round Standard Trim  
with Adjustable Lensed Reflector

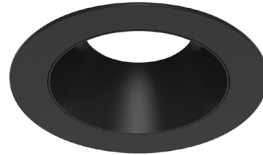
**REFLECTOR STYLE (SQUARE)**



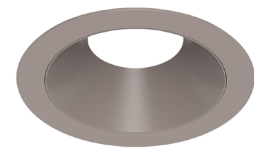
**TRIM FINISHES**



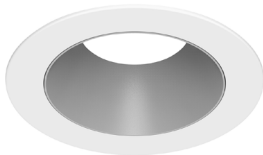
**RSTWT-STWT**  
WT White Trim  
WT White Reflector



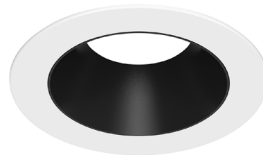
**RSTBK-STBK**  
BK Black Trim  
BK Black Reflector



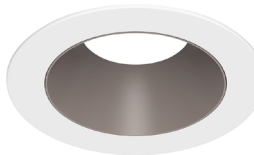
**RSTCN-STCN**  
CN Champagne Trim  
CN Champagne Reflector



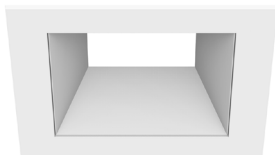
**RSTWT-STSA**  
WT White Trim  
SA Silver Reflector



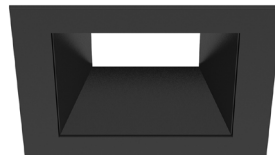
**RSTWT-STBK**  
WT White Trim  
BK Black Reflector



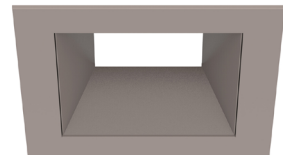
**RSTWT-STCN**  
WT White Trim  
CN Champagne Reflector



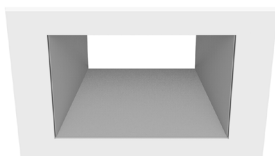
**SSTWT-STWT**  
WT White Trim  
WT White Reflector



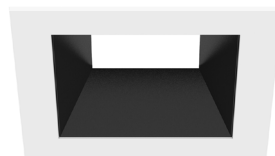
**SSTBK-STBK**  
BK Black Trim  
BK Black Reflector



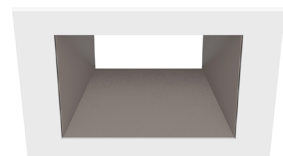
**SSTCN-STCN**  
CN Champagne Trim  
CN Champagne Reflector



**SSTWT-STSA**  
WT White Trim  
SA Silver Reflector



**SSTWT-STBK**  
WT White Trim  
BK Black Reflector

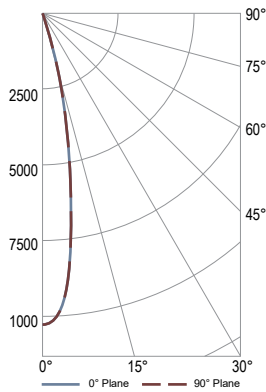


**SSTWT-STCN**  
WT White Trim  
CN Champagne Reflector

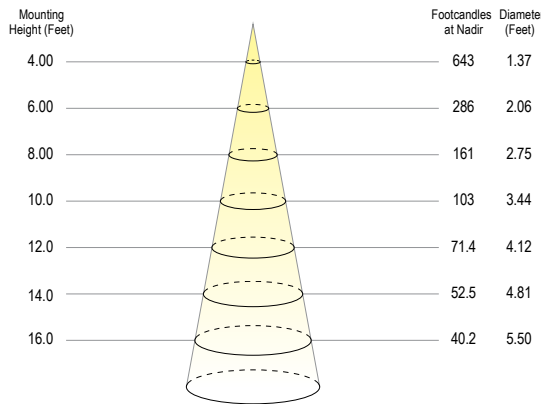
**PHOTOMETRICS**

Acrobat Downlight 2" NC, RM Models (2700K, 90 CRI, 10° Optic, 20W)  
Round, Standard, White Trim

Polar Plot



Cone of Light Tabulation



Voltage	Current	Power
120.1 VAC	0.1809 A	21.47 W

Power Factor	Frequency	Current THD
0.989	60 Hz	12.7%

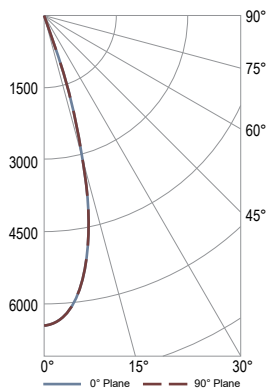
**Summary of Results**

Spacing Criteria 0-180: 0.34  
90-270: 0.34  
Total Lumen Output: 1495 Lumens  
Luminaire Efficacy: 69.6 lm/w  
Maximum Candela: 10288 Candela

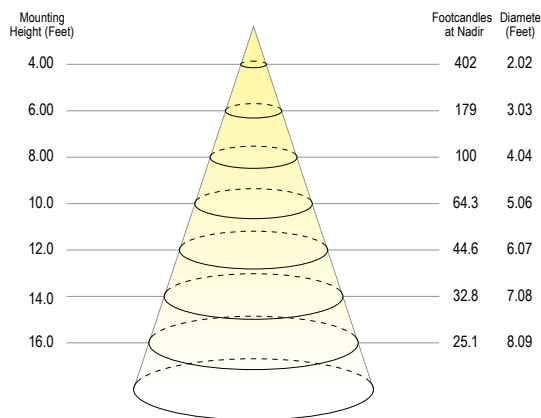
Zone	Lumens	% of Luminaire
0-40	1467	98.1%
0-60	1487	99.5%
0-90	1496	100.0%

Acrobat Downlight 2" NC, RM Models (2700K, 90 CRI, 30° Optic, 20W)  
Round, Standard, White Trim

Polar Plot



Cone of Light Tabulation



Voltage	Current	Power
120.0 VAC	0.1819 A	21.59 W

Power Factor	Frequency	Current THD
0.988	60 Hz	12.8%

**Summary of Results**

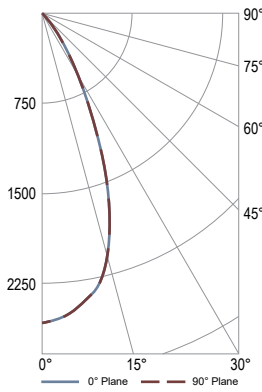
Spacing Criteria 0-180: 0.51  
90-270: 0.51  
Total Lumen Output: 1608 Lumens  
Luminaire Efficacy: 74.5 lm/w  
Maximum Candela: 6604 Candela

Zone	Lumens	% of Luminaire
0-40	1592	99.0%
0-60	1603	99.7%
0-90	1608	100.0%

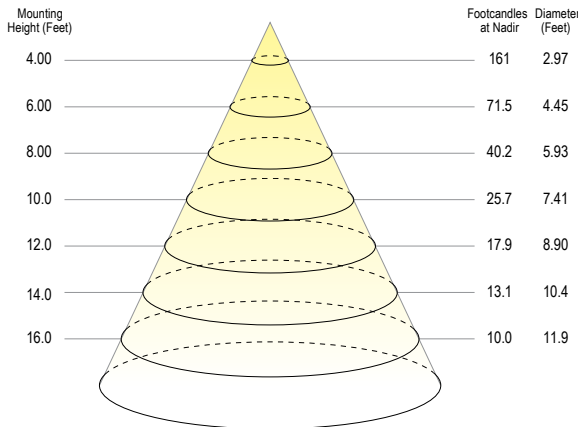
**PHOTOMETRICS**

Acrobat Downlight 2" NC, RM Models (2700K, 90 CRI, 50° Optic, 20W)  
Round, Standard, White Trim

Polar Plot



Cone of Light Tabulation



Voltage	Current	Power
120.1 VAC	0.1788 A	24.13 W

Power Factor	Frequency	Current THD
0.984	60 Hz	16.0%

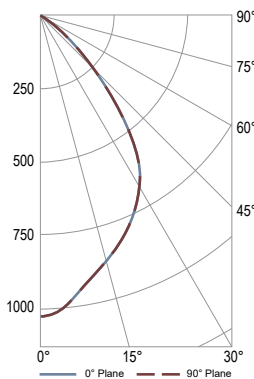
**Summary of Results**

Spacing Criteria 0-180: 0.74  
90-270: 0.74  
Total Lumen Output: 1541 Lumens  
Luminaire Efficacy: 72.9 lm/w  
Maximum Candela: 2572 Candela

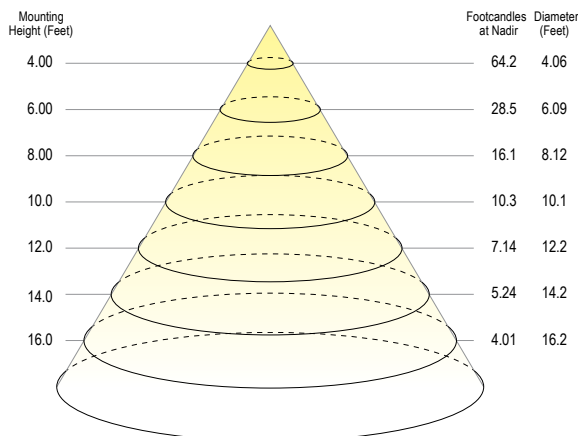
Zone	Lumens	% of Luminaire
0-40	1472	99.5%
0-60	1537	99.7%
0-90	1541	100.0%

Acrobat Downlight 2" NC, RM Models (2700K, 90 CRI, 80° Optic, 20W)  
Round, Standard, White Trim

Polar Plot



Cone of Light Tabulation



Voltage	Current	Power
120.1 VAC	0.1782 A	21.06 W

Power Factor	Frequency	Current THD
0.984	60 Hz	16.0%

**Summary of Results**

Spacing Criteria 0-180: 1.01  
90-270: 1.01  
Total Lumen Output: 1304 Lumens  
Luminaire Efficacy: 61.9 lm/w  
Maximum Candela: 1028 Candela

Zone	Lumens	% of Luminaire
0-40	1024	78.6%
0-60	1287	98.7%
0-90	1304	100.0%

## DIMMING DRIVER COMPATIBILITY

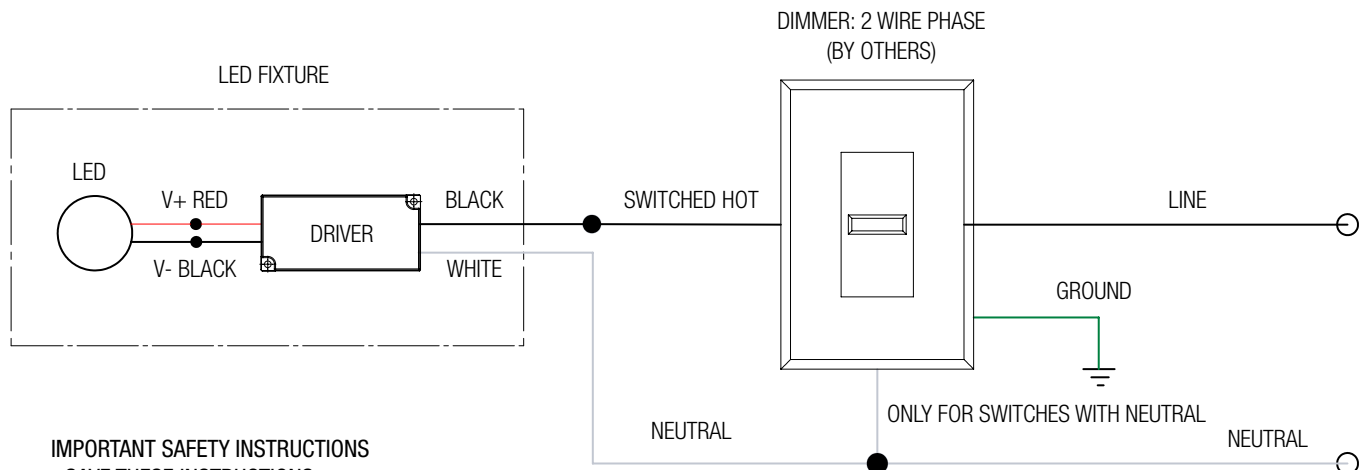
### DIMMER LIST

"S" ERP PHASE-CUT DIMMERS			
Dimmer Information			
Manufacturer	Product	Manufacturer	Product
Cooper	DAL06P	Lightolier	ZP260QEW
	DLC03P	Lutron	CT103P
	SLC03P		DV600P
Leviton	6161		DVCL-153P
	6631-2		DVELV303P
	6633-P		FAELV500
	6673-10W		LG600P
	6683-IW		MAELV600
	IPE04		S600P
	IPI06-1LZ		S-603PG
	VPE06		SELV300P
			TG-600P
			TGCL-153P

**NOTES:**

Wiring diagrams are examples of typical installations intended to illustrate the number of wires that must be run to fixture. These diagrams are not intended to specify all equipment necessary for a given dimming circuit. Refer to specific dimmer manufacturer's documentation for details.

### S- ERP DRIVER 2 WIRE PHASE DIMMING



**IMPORTANT SAFETY INSTRUCTIONS  
- SAVE THESE INSTRUCTIONS**

1. Keep these instructions in a safe place for future reference.
2. Only qualified electricians in accordance to local codes should install these fixtures.
3. De-energize the electrical circuit at the circuit breaker prior to installation process or servicing.
4. Make sure all connections are in accordance with the National Electrical Code and any local regulations.
5. Cap any wires not used separately (not together).

## DIMMING DRIVER COMPATIBILITY

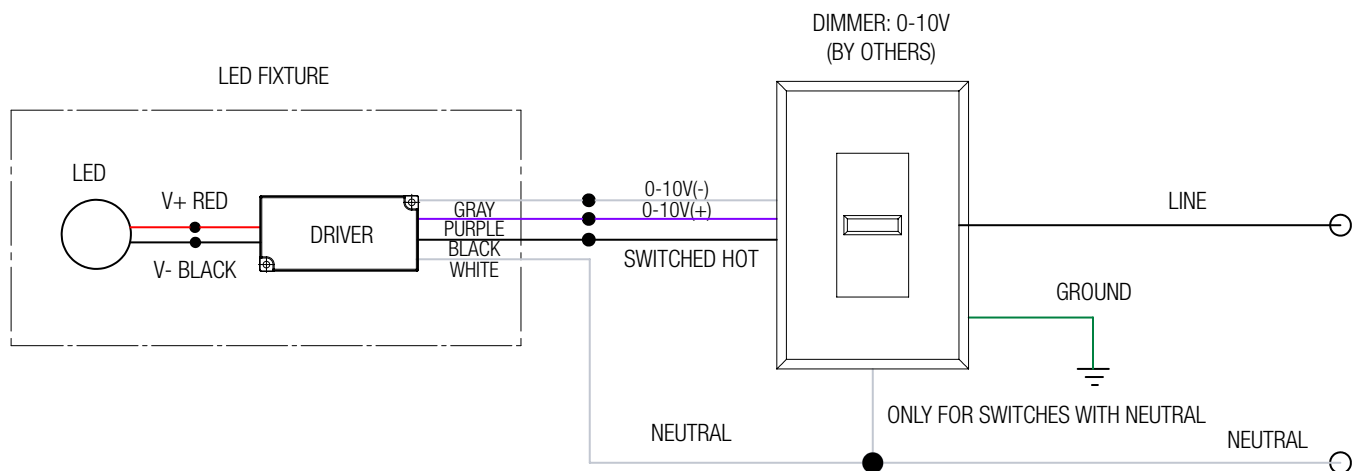
### DIMMER LIST

"S" ERP 0-10V	
Dimmer Information	
Manufacturer	Product
Leviton	IP740-DLZ
Lightolier	ZP600FAM120
	V2000FAMU
Lutron	DVTV
	NTFTV
Crestron	CLS-EXP-DIMFLV
	DIN-4DIMFLV4
	DIN-A08
	GLX-DIMFLV8

#### NOTES:

Wiring diagrams are examples of typical installations intended to illustrate the number of wires that must be run to fixture. These diagrams are not intended to specify all equipment necessary for a given dimming circuit. Refer to specific dimmer manufacturer's documentation for details.

### S- ERP DRIVER 0-10V DIMMING



#### IMPORTANT SAFETY INSTRUCTIONS

##### - SAVE THESE INSTRUCTIONS

1. Keep these instructions in a safe place for future reference.
2. Only qualified electricians in accordance to local codes should install these fixtures.
3. De-energize the electrical circuit at the circuit breaker prior to installation process or servicing.
4. Make sure all connections are in accordance with the National Electrical Code and any local regulations.
5. Cap any wires not used separately (not together).

## DIMMING DRIVER COMPATIBILITY

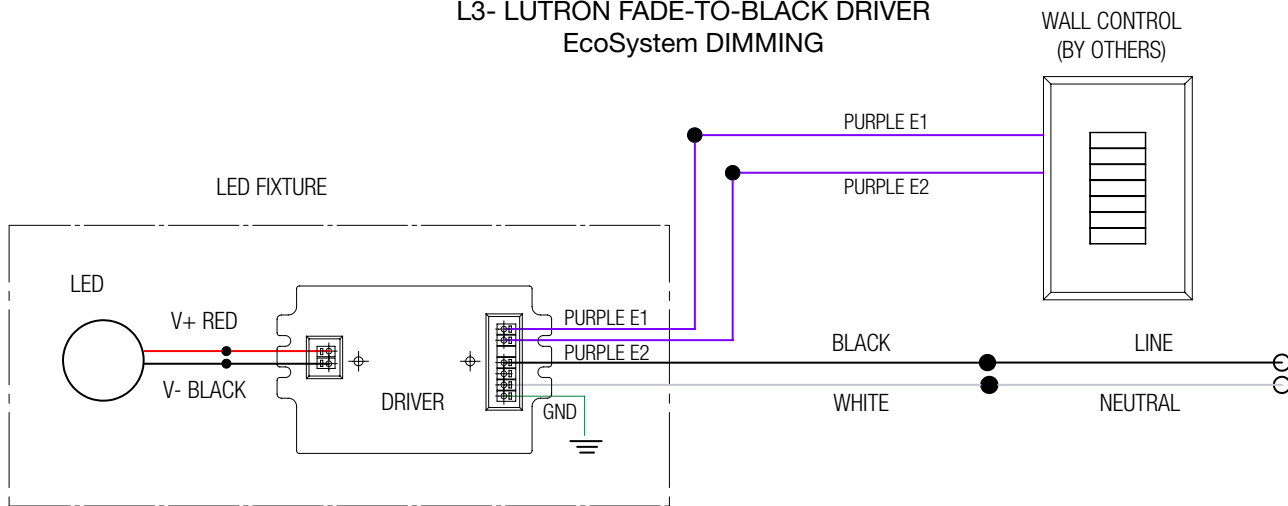
### DIMMER LIST

"L3" Lutron Fade-to-Black	
Dimmer Information	
Manufacturer	Product
Lutron	LQSE-2ECO-D
	RMJ-ECO32-DV-B
	FCJ/FCJS-ECO
	QSN-1ECO-S
	QSN-2ECO-S
	EcoSystem ESN
	Grafik Eye QS with EcoSystem
	Quantum

#### NOTES:

Wiring diagrams are examples of typical installations intended to illustrate the number of wires that must be run to fixture. These diagrams are not intended to specify all equipment necessary for a given dimming circuit. Refer to specific dimmer manufacturer's documentation for details.

### L3- LUTRON FADE-TO-BLACK DRIVER EcoSystem DIMMING



#### IMPORTANT SAFETY INSTRUCTIONS

##### - SAVE THESE INSTRUCTIONS

1. Keep these instructions in a safe place for future reference.
2. Only qualified electricians in accordance to local codes should install these fixtures.
3. De-energize the electrical circuit at the circuit breaker prior to installation process or servicing.
4. Make sure all connections are in accordance with the National Electrical Code and any local regulations.
5. Cap any wires not used separately (not together).



**DIMMING DRIVER COMPATIBILITY**

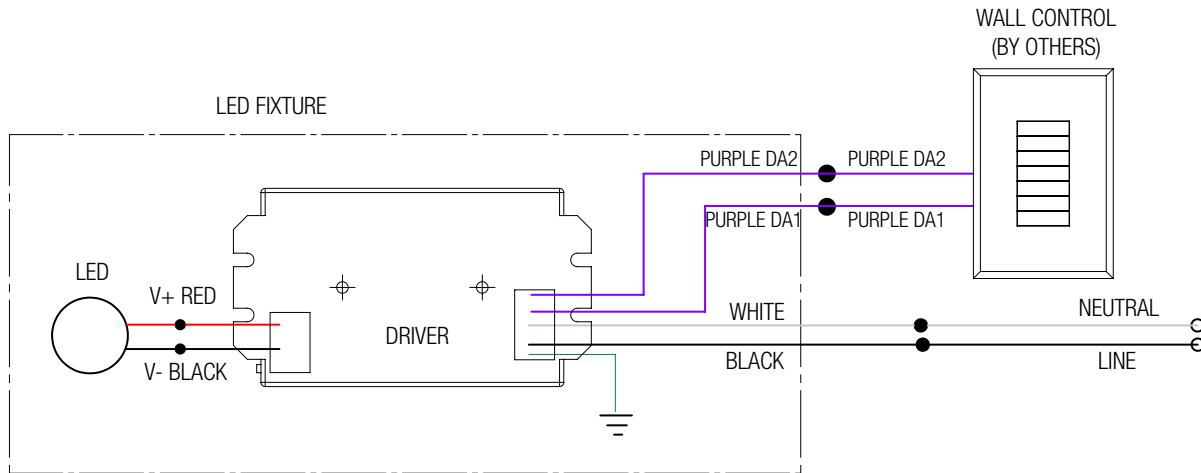
**DIMMER LIST**

"EL1" eldoLED DALI 1%	
Dimmer Information	
Manufacturer	Product
	DALI Controls

**NOTES:**

Wiring diagrams are examples of typical installations intended to illustrate the number of wires that must be run to fixture. These diagrams are not intended to specify all equipment necessary for a given dimming circuit. Refer to specific dimmer manufacturer's documentation for details.

**EL1- eldoLED DRIVER  
DALI DIMMING**



**IMPORTANT SAFETY INSTRUCTIONS**

**- SAVE THESE INSTRUCTIONS**

1. Keep these instructions in a safe place for future reference.
2. Only qualified electricians in accordance to local codes should install these fixtures.
3. De-energize the electrical circuit at the circuit breaker prior to installation process or servicing.
4. Make sure all connections are in accordance with the National Electrical Code and any local regulations.
5. Cap any wires not used separately (not together).

## DIMMING DRIVER COMPATIBILITY

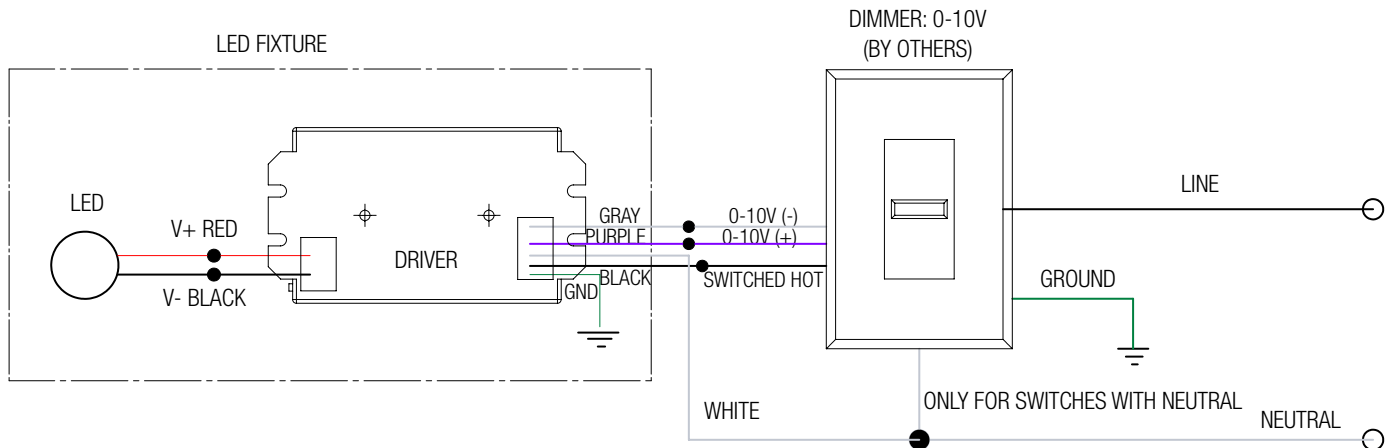
### DIMMER LIST

"EL2"eldoLED 0-10V 1%	
Dimmer Information	
Manufacturer	Product
Leviton	IP740-DLX
Lightolier	ZP600FAM120
Lutron	DVTV
	NTFTV
	NFTV
Crestron	CLS-EXP-DIMFLV
	DIN-4DIMFLV4
	DIN-A08
	GLX-DIMFLV8

#### NOTES:

Wiring diagrams are examples of typical installations intended to illustrate the number of wires that must be run to fixture. These diagrams are not intended to specify all equipment necessary for a given dimming circuit. Refer to specific dimmer manufacturer's documentation for details.

### EL2- eldoLED DRIVER 0-10V DIMMING



#### IMPORTANT SAFETY INSTRUCTIONS

##### - SAVE THESE INSTRUCTIONS

1. Keep these instructions in a safe place for future reference.
2. Only qualified electricians in accordance to local codes should install these fixtures.
3. De-energize the electrical circuit at the circuit breaker prior to installation process or servicing.
4. Make sure all connections are in accordance with the National Electrical Code and any local regulations.
5. Cap any wires not used separately (not together).

**DIMMING DRIVER COMPATIBILITY**

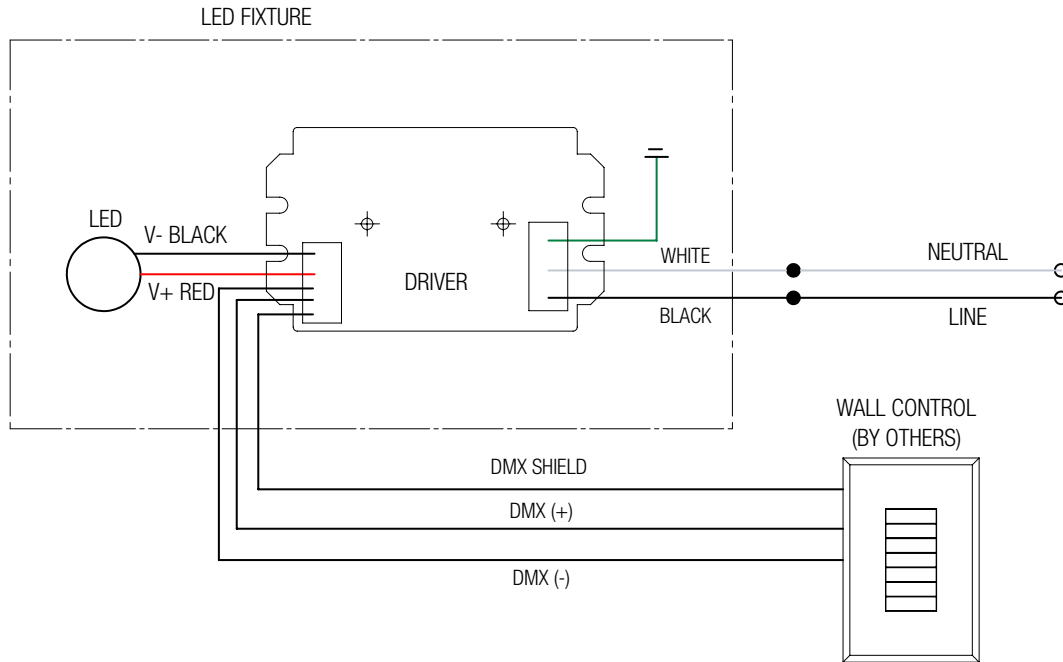
**DIMMER LIST**

"DMX" Moons	
Dimmer Information	
Manufacturer	Product
	DMX Controls

**NOTES:**

Wiring diagrams are examples of typical installations intended to illustrate the number of wires that must be run to fixture. These diagrams are not intended to specify all equipment necessary for a given dimming circuit. Refer to specific dimmer manufacturer's documentation for details.

**DMX- MOONS DRIVER  
DMX DIMMING**



**IMPORTANT SAFETY INSTRUCTIONS**

**- SAVE THESE INSTRUCTIONS**

1. Keep these instructions in a safe place for future reference.
2. Only qualified electricians in accordance to local codes should install these fixtures.
3. De-energize the electrical circuit at the circuit breaker prior to installation process or servicing.
4. Make sure all connections are in accordance with the National Electrical Code and any local regulations.
5. Cap any wires not used separately (not together).